

# Make a Book Prop

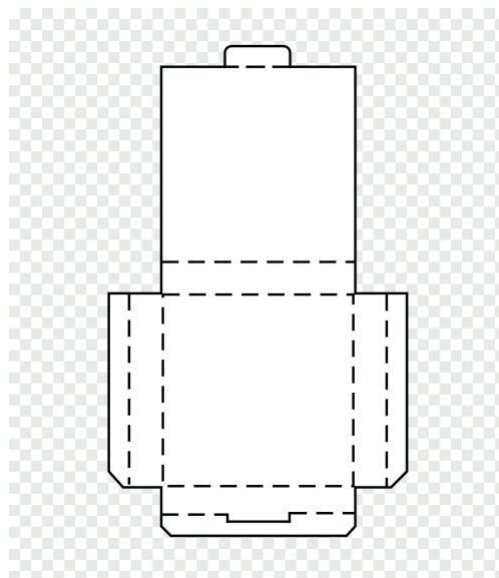
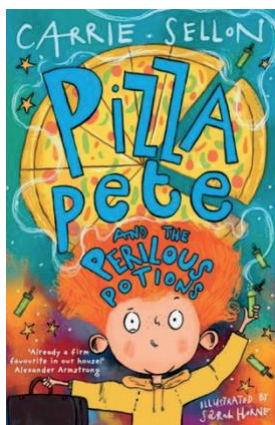


***Use recycled and readily available materials to create items from your favourite Guppy stories!***

## **Pizza Pete and the Perilous Potions by Carrie Sellon**

*Create one of Pete's magical pizzas in a box!*

- 1) Use an old take away pizza box if you can find one or copy the template below on to a large piece of used card and cut it out.
- 2) Draw a large circle inside the box and divide it into sectors (pizza slices).
- 3) Draw, paint or collage your choice of ingredients on to the pizza.
- 4) Write the name of your magical pizza on the box.



# Make a Book Prop

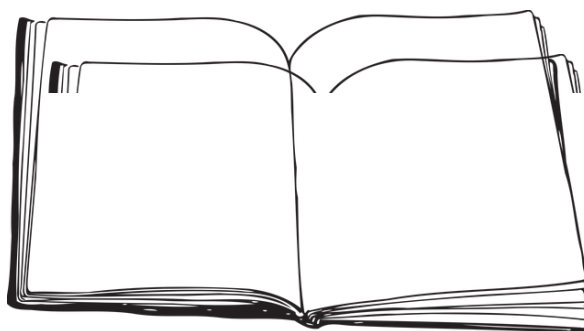


***Use recycled and readily available materials to create items from your favourite Guppy stories!***

## **The Lost Diaries of Charlie Small by Nick Ward**

*Create your own Adventure Diary. Maybe one day it will be found by somebody who will read all about your own adventures!*

- 1) Find an old note book or exercise book that has not been filled up. You can pull out any used pages if you like.
- 2) Cover the notebook with pictures of different locations from around the world. (Look through old magazines or newspapers to find images to cut out).
- 3) Make the notebook look as though it has been on some exciting adventures! You could stick leaves or twigs on the front cover. Soak an old flannel in some cold tea and dab it on to the notebook to make it look muddy.
- 4) Use the notebook to write about your amazing adventures (real or imaginary!).



# Make a Book Prop

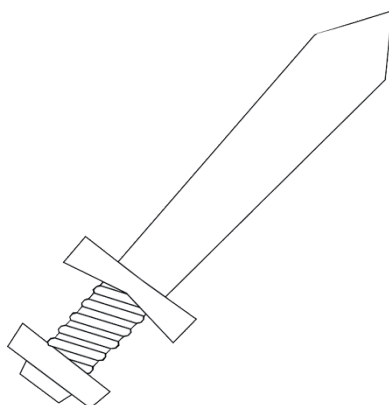
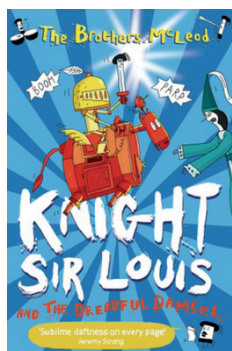


**Use recycled and readily available materials to create items from your favourite Guppy stories!**

## **The Knight Sir Louis series by The Brothers McLeod**

*Make your own 'Dave' – Sir Louis' trusty magical sword!*

- 1) Copy the template below on to a large piece of used card and cut it out.
- 2) Wrap the sword in shiny paper. Try to find paper that has previously been used, such as present wrapping paper. (Louis used shards from a magic mirror but this is not safe for you to do!)
- 3) Draw a face on your sword with a marker pen or use string to create the outline of a nose and mouth. (A mouth is very important as your sword will need one to sing!)
- 4) Add some hair – use scraps of used paper or string in a colour of your choice.
- 5) Give your sword a name. All famous swords have a name!



# Make a Book Prop



***Use recycled and readily available materials to create items from your favourite Guppy stories!***

## **Best Friends Forever by Lisa Williamson**

*Recreate Lola's Halloween disco costume – be a cereal killer!*

- 1) Find two empty cereal boxes and an old sweatshirt.
- 2) Glue one cereal box on the back of your sweatshirt and one on the front.
- 3) Insert disposable wooden knives into both boxes, securing them with sticky tape. (Alternatively, you could cut out knife shapes from used cardboard.)
- 4) Use a red felt tip pen or red paint to add blood splatters.
- 5) Wear with your favourite comfy trousers and trainers.

